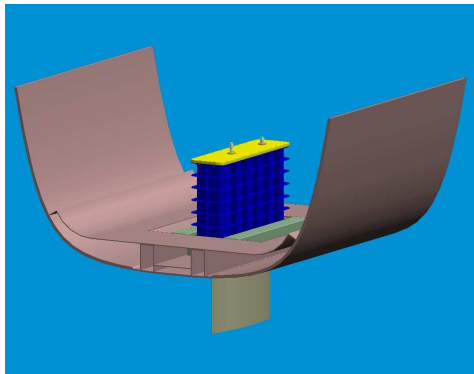


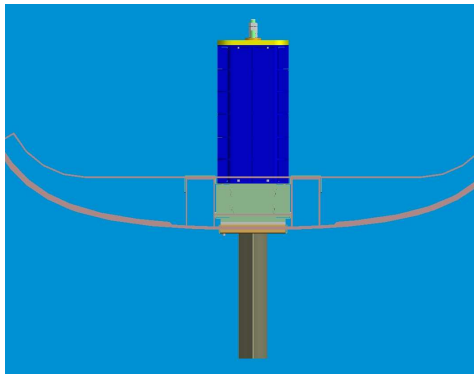
WATER OPERATING LIFTING KEEL

- PATENTED
- SIMPLE
- FUNCTIONAL
- ECONOMICAL
- ECOLOGIC
- TAKING UP LITTLE ROOM

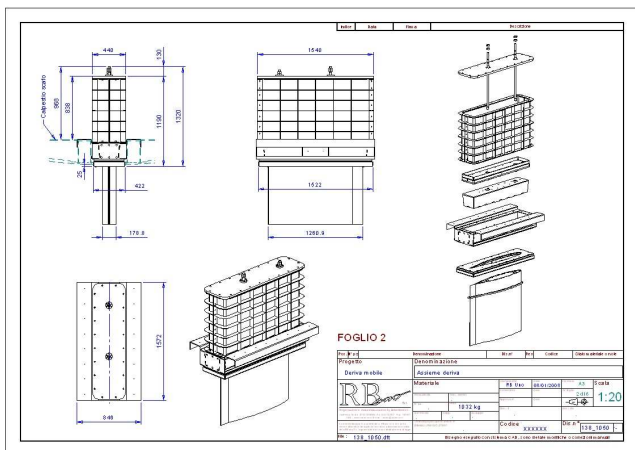


A simple centrifugal pump fills with sea water, at the maximum pressure of 2,8 bar, a cylinder chamber whose rod is the keel itself.

It is possible to adapt this retractile keel to various strokes and weight simply building a chamber of about 50mm all around the rod to gain the necessary strength to lift the keel up.



- MECHANICAL STOP: UP OR DOWN.
- SLIDING ON SELF-ADJUSTABLE GUIDES, WITH CONTINUOUS PROFILE ON THE ROD AND ON THE PISTON.
- NO SOPHISTICATED HYDRAULIC POWER PACK, NO HIGH PRESSURE, NO OIL TANKS, NO OIL LEAKS, NO COMPLEX WORKING.
- THE WATER IS ALWAYS AVAILABLE AROUND A BOAT.
- THE FORESEEN LEAKS ARE NOT A PROBLEM: THE WATER GOES BACK INTO THE WATER.



RB *uno* Srl

47900 RIMINI - Via EMILIA 35 d/e
 Tel. +39 0541 742977 Fax +39 0541 742997
 e.mail info@rbuno.it - web www.rbuno.it

Our service is our experience